

# Duplex Military Fibre-Optic Miniature Connector (MFM)

Harsh Environment Duplex Connector

TechOptics

The Duplex MFM is a high performance lightweight connector designed and developed for harsh environment applications.

- Ceramic ferrule technology for low insertion loss
- Tried and tested size 13 38999 series shell with keyway polarisation
- One piece monobloc for ease of cleaning
- Environmentally sealed when mated



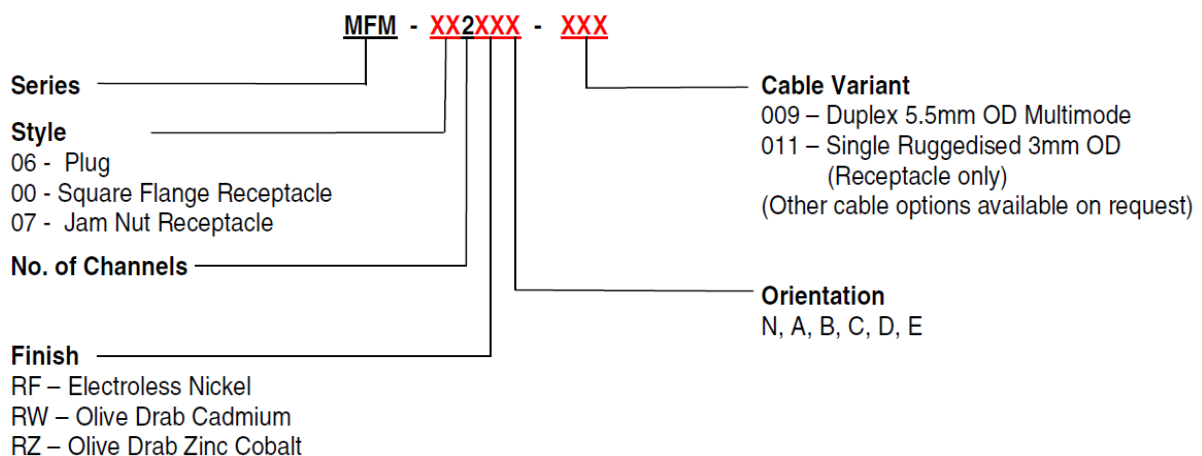
Tech Optics offer a complete range of components and high performance assemblies tailored to customer drawings or designed in house to meet optical and environmental performance requirements.

## Performance

Specification	Optical and Environmental Performance
Insertion Loss	<0.3dB typical with 62.5/125µm cable
Repeatability	>0.15dB
Tensile Load	9/125µm singlemode, 50/125µm, 62.5/125µm, 100/140µm
Mating Durability	>500 cycles
Temperature Range	-55°C to 125°C cable dependent

Mechanical	Materials
Shell	Electroless Nickel or Olive Drab plated
Ferrule	Zirconia Ceramic
Alignment Sleeve	Zirconia Ceramic
Seals	Silicon

## Part Number Information



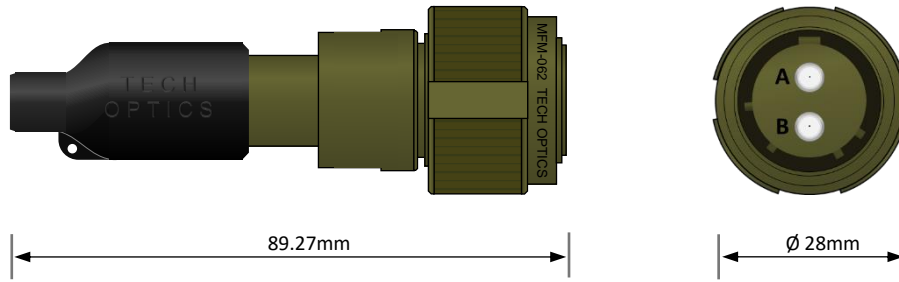
# Duplex Military Fibre-Optic Miniature Connector (MFM)

Harsh Environment Duplex Connector

TechOptics

## Duplex MFM Plug

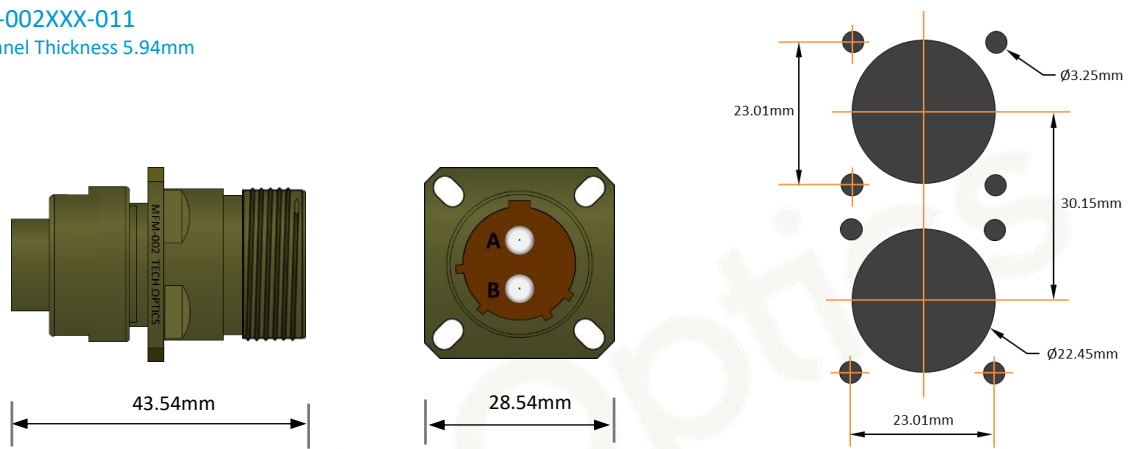
MFM-062XXX-009



## Duplex MFM Receptacle, Square Flange

MFM-002XXX-011

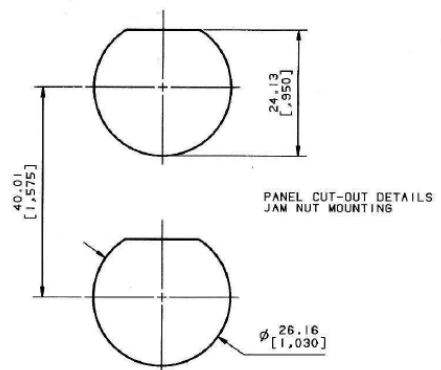
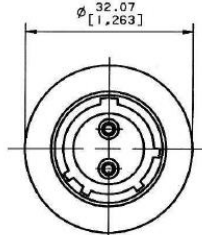
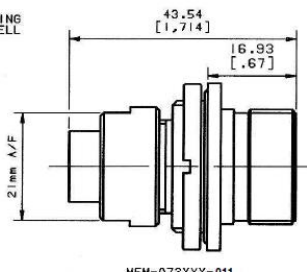
Max Panel Thickness 5.94mm



## Duplex MFM Receptacle, Jamnut

MFM-072XXX-011

JAM NUT MOUNTING  
RECEPTACLE SHELL

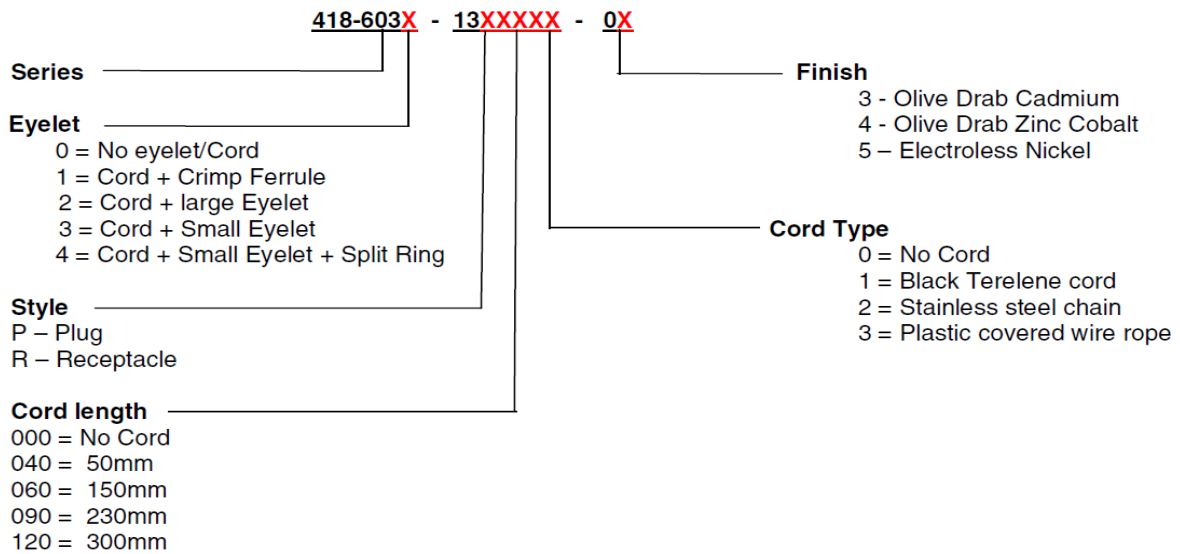


# Duplex Military Fibre-Optic Miniature Connector (MFM)

Harsh Environment Duplex Connector

TechOptics

## Protective Cap Part Numbering



## Harsh Environment Assemblies

Tech Optics manufacture a huge range of fibre optic cable assemblies for standard and harsh environment applications. Used by some of the biggest names in defence and aerospace plus electrical harness houses and connector manufacturers Tech Optics has an unsurpassed reputation for high quality flexible manufacture.

Assemblies are manufactured in Tonbridge using our ISO9001:2015 controlled processes which are fully traceable and 100% optically tested (test reports are supplied with each assembly together with a Tech Optics C of c). First Article Inspection Reports are available as a cost option together with supplier C of Cs.

Please contact our expert team to discuss your harsh environment fibre optic harness requirements in complete confidence.



Tech Optics fibre optic polishing station



Tech Optics fibre optic cable store



Deployable assemblies ready for test

For further information and to discuss your application please contact:-

**Tech Optics Ltd.**  
6 Tannery Road  
Tonbridge  
Kent  
TN9 1RF  
UNITED KINGDOM

T: +44(0)1732 770 466  
E: [sales@techoptics.com](mailto:sales@techoptics.com)

TechOptics

Specifications subject to change without notice.

Duplex MFM – 2020

**ISO9001:2015**  
for the distribution  
of fibre optic  
products and the  
manufacture of  
fibre optic  
assemblies.



[www.techoptics.com](http://www.techoptics.com)