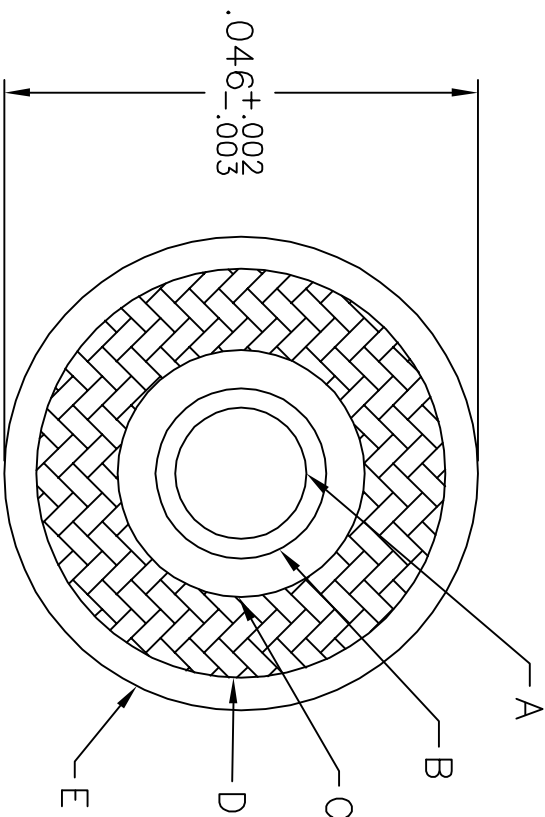
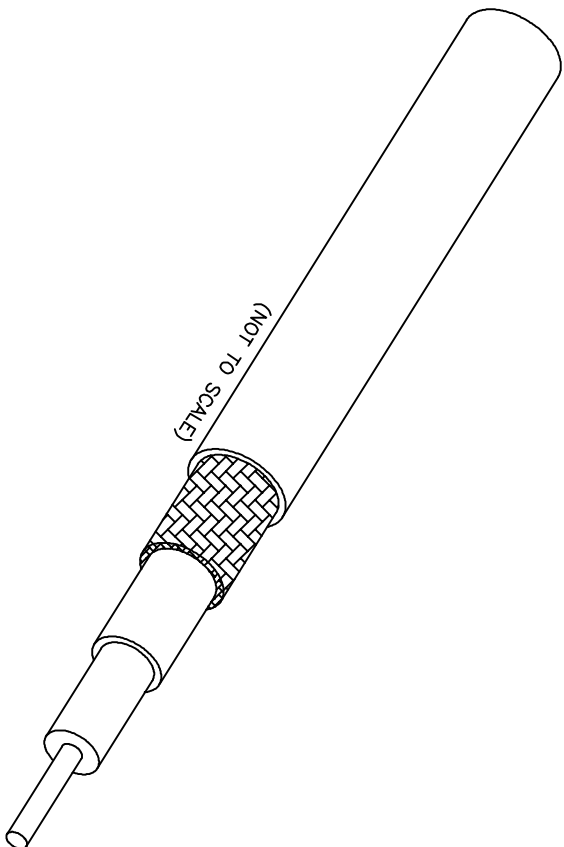


CONSTRUCTION: FIBER OPTIC, MULTI-MODE

- A. FIBER: 50/125/250 um 125C RATED
- B. BUFFER: ePTFE
- C. INNER JACKET: FLUOROPOLYMER (J800), BLUE  
NOM. WALL 0.005 +0.001/-0.002
- D. STRENGTH MEMBER: KEVLAR™  
NOM. DIAMETER: 0.024 +0.002/-0.005
- E. OUTER JACKET: FLUOROPOLYMER (J800) BLUE



REVISIONS			
REV	DESCRIPTION	DATE	CHGD BY
A	PRODUCTION RELEASE	13 JULY 2007	-

<p>PARENTHESIS DENOTE REFERENCE DIMENSIONS</p> <p>DIMENSIONS ARE IN INCHES</p>		<p>UNLESS OTHERWISE SPECIFIED</p>	
DO NOT SCALE DRAWING	.X ± n/a	FRACTIONS ± n/a	
DEBURR SHARP EDGES	.XX ± n/a	ANGLES ± n/a	
	.XXX ± n/a	SURFACE TEXTURE n/a	
	.XXXX ± n/a	BREAKS AND FILETS n/a MAX	
Third Angle Projection	<p>By acceptance of this document, you agree that all rights to drawings, specifications, processes and other data contained therein, as well as the proprietary and novel features of the subject matter, are reserved by Gore and are disclosed in confidence. They are not to be manufactured, used, sold or disclosed to others, nor are devices embodying such features or information derived from these disclosures to be used or disclosed, unless and until expressly authorized by Gore. These drawings, specifications, processes, etc. are and remain the property of Gore and are not to be copied or reproduced without express permission, and are to be returned upon request therefor.</p>		
INTERPRET DRAWING IN ACCORDANCE WITH ASME Y14.5M-1994 (R1999)	<p><b>GORE</b></p> <p>W. L. GORE &amp; ASSOCIATES, INC. (Gore) Electronic Products Division NEWARK, DELAWARE 19711 302/738-4880</p> <p>© 2004 W. L. Gore &amp; Associates, Inc.</p>		
Title		1.2mm SIMPLEX	
Dwg Size	Sheet	Scale	Associated Documents
A	1 of 1	50:1	PMWPS - 7383
Rev Date	Drawing Number		Drawn By
13 JULY 2007	FON 1307		ECL
			09 SEP 2004
			Rev Level
			A