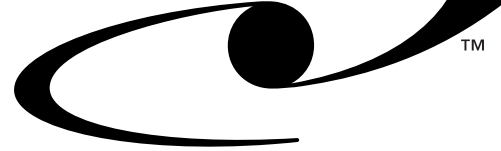


# Volition™

## VF-45™ Socket Termination and Maintenance Cleaning Kits



### COOL HAND TOOLS.

#### VF-45 Quick Install Socket Termination Kit

Get your hands on a Volition VF-45 Socket Termination Kit from 3M and you have everything you need to install VF-45 Sockets onto duplex fibre optic cable quickly and easily. Cable and fibre strippers, polishing and socket assembly fixtures and inspection viewer – all fit in a carrying case. The termination kit works in concert with the ‘snap together’ design of the socket to eliminate many of the steps and much of the labour associated with traditional fibre optic terminations. With the VF-45 socket termination kit, you can complete fibre installations faster and easier; duplex fibre terminations can be completed in less than two minutes. An upgrade kit for converting the VOL-0560 Socket Termination Kit is also available.

### CLEAN UP YOUR ACT.

#### Maintenance Cleaning Kit

The Volition Maintenance Cleaning Kit from 3M keeps VF-45 fibre interconnects in wall boxes, patch panels or electronic equipment operating at a ‘just installed’ optical performance level. The system comprises a spray bottle of Volition HFE-Based Cleaning Fluid and separate attachments designed for VF-45 socket and plug insertions. HFE-based cleaning fluid is non-flammable and non-conductive. The maintenance cleaning kit is a convenient, effective and quick way to clean fibre end faces, without disassembly from face plates or panels.

# Volition™ Quick Install Socket Termination Kit

## FEATURES

- Custom design tooling
- Small carrying case
- Cool tool design
- Containment of cleaved fibre ends

## BENEFITS

- Simplified termination process, fewer steps  
Faster and easier to use  
Maximum productivity  
Minimum installation costs
- Easy to carry and easy to use
- No external power supply required, higher reliability
- Improved safety

## Specifications

- Consumables sufficient for 500 terminations of the VF-45™ socket are included in the kit.
- Individual replacement consumables and hand tools are available.
- 99% Isopropyl Alcohol purchased separately.
- Storage temperature: -40 to 60°C.
- Tools are suitable for simultaneous preparation and termination of duplex fibres.

## Installation Notes

- When planning large installations, calculate 500 terminations of the VF-45 socket per package of :  
Lapping Film – 5 Sheets, Cotton Swabs – 100, Lint Free Wipes – 100
- The Puck Polishing Face will wear slightly or may become clogged over hundreds of terminations, and is replaceable when needed.
- The Scribe Blade Assembly will wear slightly over hundreds of terminations or may chip under stressful conditions. The Scribe Blade Assembly is replaceable when needed. Typical blade life is 1000 terminations.
- Replacement instructions (folder) – Part #34-7042-8869-4

## Ordering Information

Model No.	Description			
VOL-0562	VF-45 Quick Install Socket Termination Kit with Spiral Bound Instruction Manual			
VOL-0562U	VF-45 Quick Install Upgrade Kit			
Replacement Model #	Individual Components	Quantity	Included in Kit VOL-0562	Included in Kit VOL-0562U
VOL-0560A	Cable Jacket Stripper	1	*	–
VOL-0560B	Snips (Scissors)	1	*	–
VOL-0560C	Micromodule Stripper	1	*	–
VOL-0560D	Dual Fibre Stripper, 250 µm coating	1	*	–
VOL-0560F	Polishing Puck Assembly (includes Puck Polishing Face)	1	*	–
VOL-0560G	Puck Polishing Face			
VOL-0560N	Cotton Swabs	100	*	–
VOL-0560P	Lint Free Wipes	100	*	–
VOL-0560R	Bottle, Alcohol, empty	1	*	–
VOL-0560W	Cleaning Wires	1	*	–
VOL-0562B	Replacement Blades for VOL-0560D	1	–	–
VOL-0562C	View Scope Adapter	1	–	–
VOL-0562H	Polishing Station Base (includes Cleave Button Assembly and Foam Polishing Pad)	1	*	*
VOL-0562J	Cleave Button Assembly	1	–	–
VOL-0562K	Lapping Film	5 Sheets	*2off	*2off
VOL-0562L	Pen Light	1	*	*
VOL-0562M	Tool Pouch	1	*	*

Replacement Model #	Individual Components	Quantity	Included in Kit VOL-0562	Included in Kit VOL-0562U
VOL-0562S	Quick Install Carrying Case	1	*	*
VOL-0562T	Foam Polishing Pad	1	–	–
VOL-0562V	Quick Install Station Door	1	–	–
VOL-0562W	Quick Install Station Fibre Stud Cap	1	–	–
VOL-0562X	Fibre View Scope magnification x 75 w/Adapter Base (includes penlight w/batteries)	1	*	*

## Volition™ Maintenance Cleaning Kit

### FEATURES

- Front access spray cleaning
- HFE-based cleaning solution
- Replacement bottle of cleaning solution

### BENEFITS

- Easy maintenance in tight spots  
No disassembly of wall plates  
Reduced labour
- Non-flammable  
Non-conductive
- Cost effective

### KIT CONTENTS

#### Volition VF-45™ Maintenance Cleaning Kit

- 1 - 473 ml. bottle, Volition HFE-Based Cleaning Fluid
- 1 - Spray nozzle, trigger activation
- 1 - VF-45 socket sprayer adaptor (installed)
- 1 - VF-45 plug adaptor

#### Volition HFE-Based Cleaning Fluid

473 ml. bottle, replacement for Maintenance Cleaning Kit  
12 bottles per case

#### Performance Specifications

Non-flammable  
Non-conductive  
Low toxicity  
Rapid drying  
400 cleanings per 473 ml. bottle  
Storage temperature: -40° to 60°C

#### Application

For socket cleaning, insert spray head into socket. For plug cleaning insert spray head into plug adaptor and insert the plug into the other end of the adaptor. Activate the trigger on the bottle one full stroke to apply a stream of fluid to clean both fibres.

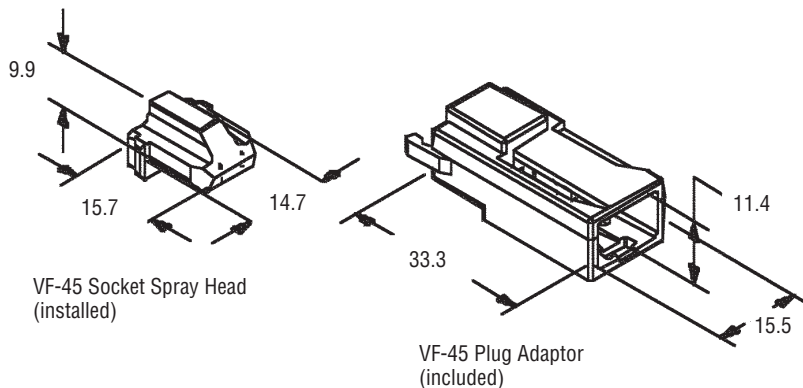
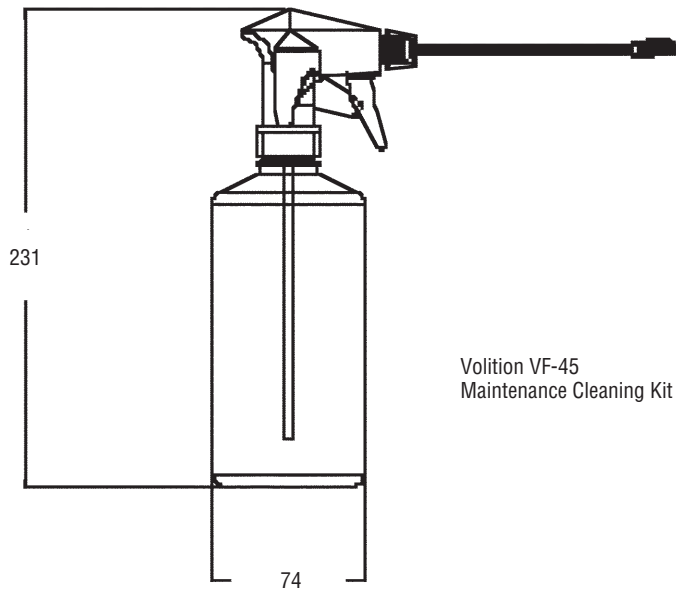
#### Caution

The Volition HFE-Based Cleaning Fluid has unique properties. The VF-45 interconnect should only be cleaned with this fluid.

## Ordering Information

Model No.	Description	MOQ
VOL-0570	VF-45 Maintenance Cleaning Kit	1
VOL-0570A	Volition HFE-Based Cleaning Fluid, 473 ml. bottle	12

Dimensions  
mm



### Warranty

3M does not accept responsibility or liability, direct or consequential, arising from reliance upon any information provided and the user should determine the suitability of the products for their intended use.

Nothing in this statement will be deemed to exclude or restrict 3M's liability for death or personal injury arising from its negligence.

All questions of liability relating to 3M products are governed by the seller's terms of sale subject where applicable to the prevailing law.

If any goods supplied or processed by or on behalf of 3M prove on inspection to be defective in material or workmanship, 3M will (at its option) replace the same or refund to the Buyer the price of the goods or services.

Except as set out above, all warranties and conditions, whether express or implied, statutory or otherwise are excluded to the fullest extent permissible at law.



### Telecom Systems

16-18 Barton Road  
Bletchley  
Milton Keynes MK2 3JH  
Tel: 01908 365182  
Fax: 01908 365179

Web: <http://www.3m.com/volition>

3M, 3M brand names and the 'dot wave' symbol are trademarks of 3M company.

Printed in the UK. © 3M 2000.  
Ref: QX 3800 0289 6