

DIAMOND Fiber Optic Tools

FIELD REPAIR

Diamond's Crocodile repair set is a patent pending solution, which provides a simple way to repair or add cable extensions to existing cable installations.

Its light weight and robust construction permits to use it in harsh environments and under high mechanical stress. It is available for SM and MM service, for secondary coated fibre and fibre cables (1.6mm – 3.1 mm)

Being part of the Crocodile technology, it is the completion of this versatile and modular field installation system which covers indoor, outdoor and harsh environments assemblies.

(Further information: www.diamond-fo.com).

Particularly, the Crocodile Repair Set ABS 1632-003 is qualified and adapted for repairs of the Airbus fibre optic cable ABS0963-003 LF.

FEATURES AND BENEFITS

- ▶ Simple, fast and reliable field repair, even in severe conditions
- ▶ Integrated, small and robust splice protection and cable boots
- ▶ Compact, light weight
- ▶ Resistant to high cable tensions

AVAILABLE AS

- ▶ Repair Set P/N 1046361, (to be terminated with Diamond repair tool kit)
- ▶ AIRBUS P/N ABS 1632-003

OPTICAL PERFORMANCES

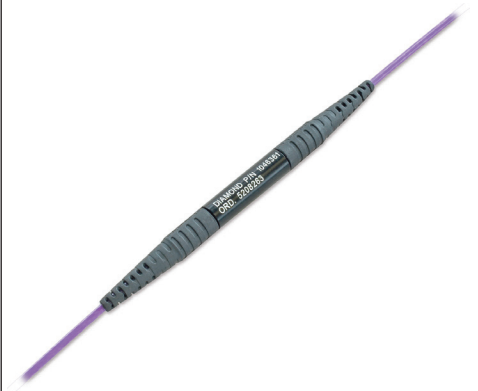
MEASUREMENT / TEST	MULTIMODE VALUES	STANDARDS
Insertion Loss (IL)	0.15 dB	EN 2591-601 $\lambda = 1310$ nm
Return loss	< 35 dB	EN 2591-605 $\lambda = 1310$ nm

MECHANICAL AND ENVIRONMENTAL CONDITIONS

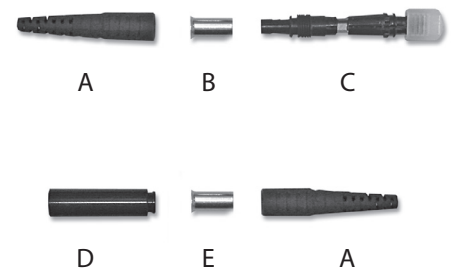
Rapid temperature change	-60 / +150 °C	EN 2591-6305 $\lambda = 1310$ nm
Temperature endurance	1000 h @ 150 °C	EN 2591-301 $\lambda = 1310$ nm
Thermal cycling	-60 / +150 °C; 15 cycles	IEC 61300-2-22 $\lambda = 1310$ nm
Cold/low pressure damp heat	-60 °C; 10 cycles	EN 2591-303 $\lambda = 1310$ nm
Salt mist	500 h	EN 2591-307 $\lambda = 1310$ nm
Sand and dust	8.9 m/s; 1 cycle	EN 2591-308 $\lambda = 1310$ nm
Damp heat cycling	10 cycles	EN 2591-6321 $\lambda = 1310$ nm
Flammability	Method A	EN 2591-317 $\lambda = 1310$ nm
Fluid resistance	Fluid 1,3,9,10,11,15 per EN3909-Method 1	EN 2591-315 $\lambda = 1310$ nm
Mould growth	Method A; 28 days	EN 2591-306 $\lambda = 1310$ nm
Cable cycling flexing	Method C; 100 cycles @ 40 N	EN 2591-609 $\lambda = 1310$ nm
Cable pulling	Method B; 100 N, 1 min. 3 pulls	EN 2591-610 $\lambda = 1310$ nm
Cable torsion	100 cycles @ 40 N	EN 2591-611 $\lambda = 1310$ nm
Radial compression	500 N; 15 sec. 2 axis	EN 2591-614 $\lambda = 1310$ nm
Random vibration	Method B; Figure 2; Level J; 8h/axis	EN 2591-403 $\lambda = 1310$ nm
Shock	Method A; sev. 50 shocks/dir. on 2 main axis	EN 2591-402 $\lambda = 1310$ nm

Crocodile Repair Set

SINGLE MODE
MULTIMODE

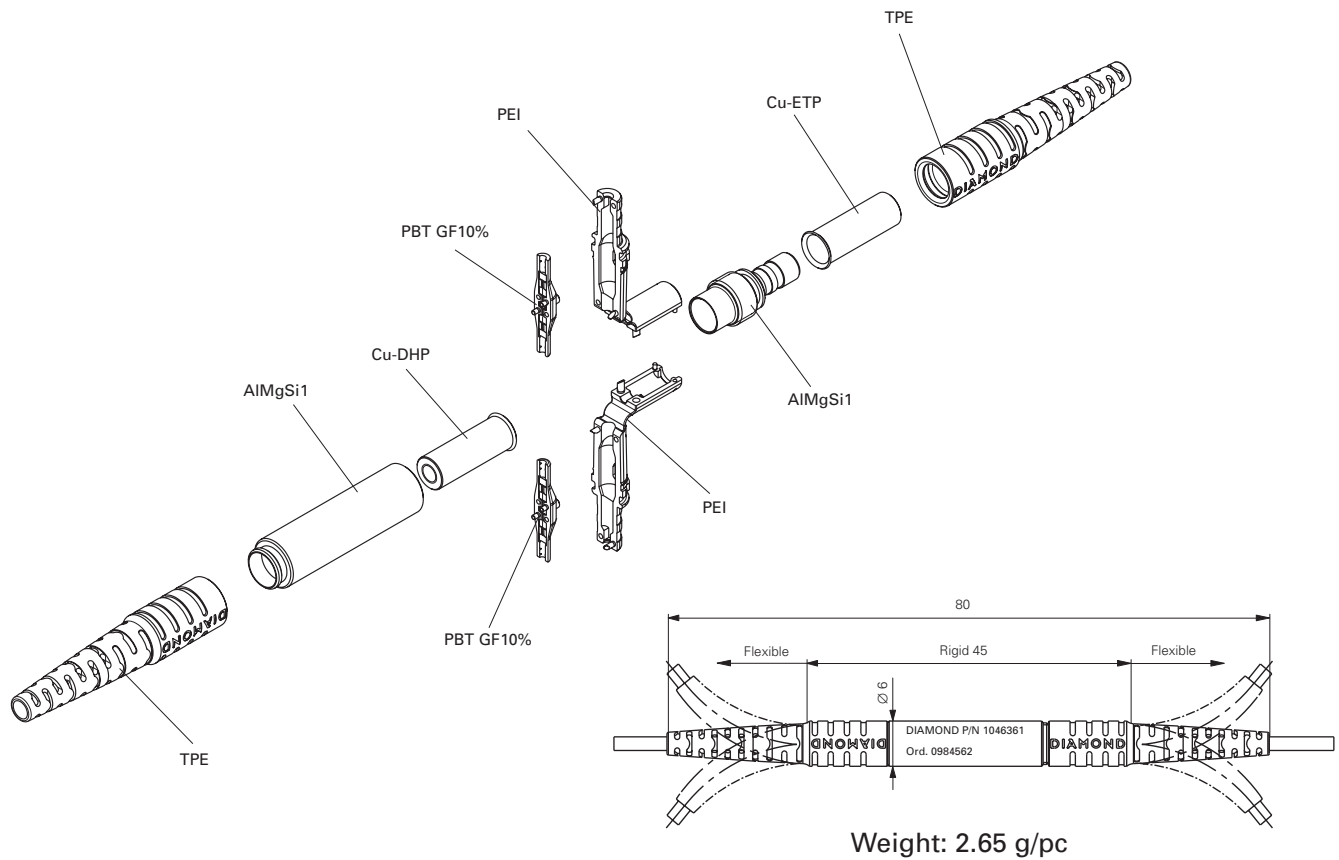


Crocodile Repair Set



- A: Cable boot
- B: Crimping sleeve (fixed side)
- C: Special crocodile
- D: Protection & cover
- E: Crimping sleeve (crocodile side)

SINGLE PARTS OF THE CROCODILE REPAIR SET



CROCODILE REPAIR EQUIPMENT

Crocodile repair equipment is based on DIAMOND's ZEUS Fusion Field Termination Kit and provides all the tools and instructions required to easily repair existing fiber optic installations.

ORDER INFORMATION

Repair tool kit P/N 1047320

Contact your local Diamond representative for additional information.

MAIN KIT CONTENTS

- 1 Rugged carrying trolley case
- 2 Fusion Splicer with battery
- 3 Precision fiber cleaver
- 4 Repair sets and tools
- 5 Cleaning parts
- 6 Working board with adjustable belts



Dimensions: ca. 540 x 340 x 250 mm
Weight: ca. 12 Kg